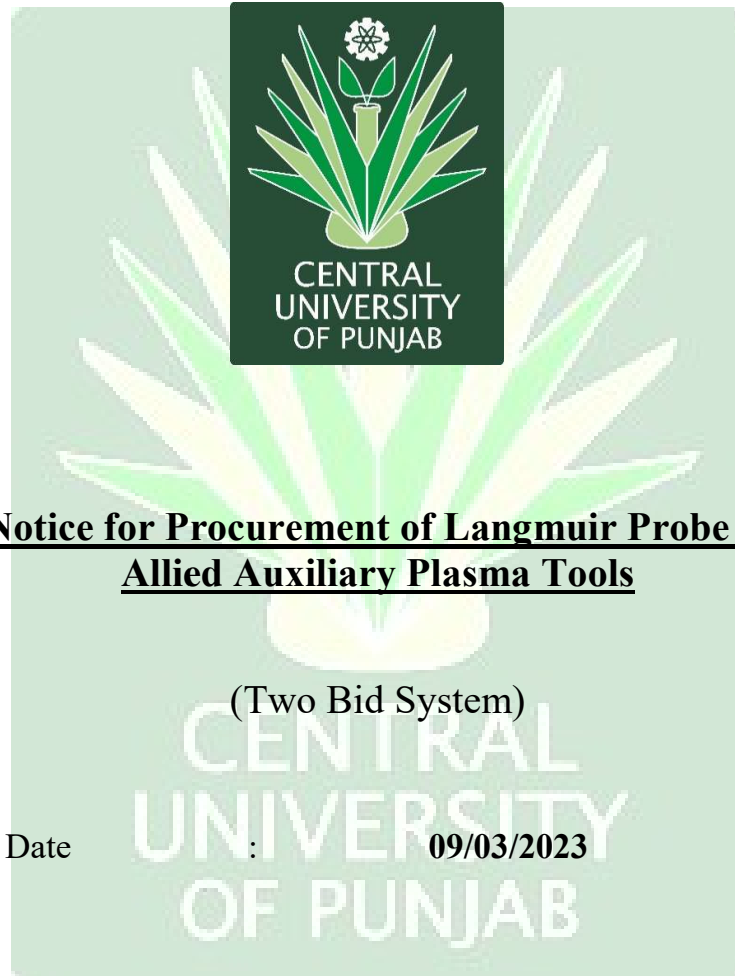


# CENTRAL UNIVERSITY OF PUNJAB

Established vide Act No. 25 (2009) of Parliament

Tender No.: P-26(2022-23)



## **e-Tender Notice for Procurement of Langmuir Probe System and Allied Auxiliary Plasma Tools**

(Two Bid System)

Release Date : **09/03/2023**

Last Date : **30.03.2023; 12:00PM**

V.P.O. Ghudda, District-Bathinda- 151401

E-mail: [procurement@cup.edu.in](mailto:procurement@cup.edu.in)

## Central University of Punjab, Bathinda

Central University of Punjab invites e-tenders from indigenous Original Equipment Manufacturers (OEMs) /Authorized Dealers for supply of **Langmuir Probe System and Allied Auxiliary Plasma Tools**

<b>Tender Notice Number</b>	:	<b>P-26(2022-23)</b>
<b>Release Date of the Tender</b>	:	<b>09/03/2023</b>
<b>Last date for the submission of Tender</b>	:	<b>30.03.2023; 12:00 PM</b>
<b>Opening date of Tender</b>	:	<b>31.03.2023; 12:00 PM</b> (In case tender opening day declared holiday for any reason the tender will be opened on next working day at same time.)
<b>Name and Address of the University</b>	:	Registrar, Central University of Punjab, V.P.O. Ghudda, District, Bathinda – 151401, Punjab, India.
<b>E-Mail Address</b>	:	<a href="mailto:procurement@cup.edu.in">procurement@cup.edu.in</a> , <a href="mailto:registrar@cup.ac.in">registrar@cup.ac.in</a>

S. No.	Name of Instrument	Tender Fee (Non-Refundable)	Earnest Money Deposit (EMD)
1	<b><u>Procurement of Langmuir Probe System and Allied Auxiliary Plasma Tools</u></b> <i>Details/Specification at Annexure- 'B' with design drawing of ESR cavity</i>	NIL	<b>Rs. 50000/- Through Online Mode</b>

**Note:**

The bidders registered with NSIC/MSME are exempted from EMD against submission of valid NSIC/MSME registration certificate

- **EMD Exemption:** The bidder EMD exemption, must submit the valid supporting document for the relevant category. Under MSE category, only manufacturers for goods and service Providers for Services are eligible for exemption from EMD. Traders are excluded from the purview of this Policy.

## GUIDELINES FOR PREPARATION AND SUBMISSION OF TENDER

### 1. Procedure for preparation of tender:-

- a) Prepare the tender document in order of the checklist attached at Annexure-(i). The checklist should be on top of the technical bid. All other annexures must follow in the same order within each envelop as specified in checklist. If the tender is not as per format, the same may be rejected without any further communication.
- b) The tender fee and EMD/Bid Security (if applicable and mentioned specifically) shall be deposited through NEFT/RTGS or other online transfer modes to designated bank account of the ‘Central University of Punjab, Bathinda’.
  - a) Account Name : CUPB Nodal Officer E Tendering
  - b) Name of Bank : Canara Bank
  - c) Account No. : 2089101018661
  - d) IFSC Code : CNRB0002089

### 2. Procedure for Submission of tender: **Bids shall be submitted online only. University may request hard copy of supporting documents, if needed. University reserves the right to reject the bid if requested documents are not submitted.**

#### Online tender submission:

- a) Online bid should be submitted at CPPP website: <https://eprocure.gov.in/eprocure/app>.
- b) **The bidding process is online i.e. EMD, Technical Bid and Financial bid (3 envelope system) must be submitted online.** Bidders should be in possession of valid Digital Signature Certificate (DSC) of class III for online submission of bids. Prior to bidding DSC need to be registered on the website mentioned above.

### 3. Who can Bid-

- a) Either the indigenous agent authorised on behalf of the Principal/OEM or Principal/OEM itself can bid.
- b) If an agent submits bid on behalf of a Principal/OEM along with the Authorization Certificate *with specifically mentioned validity of authorization* for this specific tender from the Principal/OEM, the same agent shall not submit a bid on behalf of another Principal/OEM in the same tender for the same item (s)/product (s). All bids other than those from the Principal/OEM should be supported by an authority letter from Principal/OEM authorizing the supplier to tender on their behalf. In case of Principal/OEM, a certificate or a self-certified copy thereof to the effect that the bidder is manufacturer of the equipment must be accompanied with the technical bid.

## GENERAL TERMS AND CONDITIONS

1. Technical compliance sheet for each instrument should be strictly as per tender format and signed & stamped on each page and not just cut /copy paste and should provide brochure mentioning item(s) with detailed information.
2. The tenders received without earnest money, or misleading information or tender not submitted as per guidelines will be out-rightly rejected.
3. If the supplier/firm is manufacturer/authorized dealer/sole distributor of any item, the certificate to this effect should be attached along with other documents.
4. Apart from all these terms and conditions, specific terms as specified for each instrument must also be complied with.
5. The tenders qualifying in technical evaluation will only be considered for financial evaluations. The price bid of others (who are not successful in technical evaluation) will not be considered. Financial bids of only technically acceptable offers shall be opened for further evaluation and ranking for the purpose of awarding the contract.
6. Bidders are advised to visit this website regularly to keep themselves updated, for any changes/modifications in the Tender Enquiry Document.
7. **Right to reject:** The CUPB reserves right to accept/reject any or all the Tenders at any time without assigning any reason.
8. **Delivery Schedule:** Supply and installation 8weeks from the date of issuance of Purchase Order.
9. **Site Preparation:**The supplier shall inform CENTRAL UNIVERSITY OF PUNJAB, V.P.O. Ghudda, District Bathinda- 1 5 1 4 0 1 about the site preparation along with technical bid, if any, needed for the installation, must provide complete details regarding space and all infrastructural requirements needed for the equipment, which CENTRAL UNIVERSITY OF PUNJAB, V.P.O. Ghudda, District Bathinda will arrange before the arrival of equipment to ensure its early installation and smooth operation thereafter. The supplier may offer his advice and render assistance to CENTRAL UNIVERSITY OF PUNJAB, V.P.O. Ghudda, District Bathinda in the preparation of the site and other pre installation requirements.
10. **Civil Suit Jurisdiction:** All legal proceedings in connection with this Supply/Purchase order/Contract shall be subject to the territorial jurisdiction of the local Civil Courts, as per Indian Laws, at Bathinda only.
11. **Cancellation :** The University reserves the right to cancel the Supply/purchase order as a whole or in part at any time or in the event of default on the part of the Supplier prior to the receipt of information regarding taking in hand of the manufacture of material against the Supply/Purchase order/dispatch of material to the consignee.

**Place:**

**Signature of Authorized Person**

**Date:**

**Designation**

**Seal**

## FINANCIAL TERMS AND CONDITIONS

1. **Prices:** Quoted prices of equipment should be in INR, firm, inclusive of insurance, loading/unloading charges and FOR Central University of Punjab (CUPB), V.P.O. Ghudda, District Bathinda.
2. **MII (Make in India):** Public Procurement (Preference to Make in India) as per Ministry of Commerce and Industry, Public Procurement Section order No. P-45021/2/2017-PP (BE-II) dated 4<sup>th</sup> June 2020. Certificate regarding Local Content to be submitted by bidder firm.
3. MSE Purchase Preference as per “**Public Procurement Policy for Micro and Small Enterprises (MSEs) Order, 2012**” shall be applicable.
4. **Acceptance of Terms & Conditions:** Bidders must confirm the acceptance of all the terms and conditions of this tender. Non-acceptance or deviations from the terms and conditions must be clearly mentioned. However, tenderers must note carefully that any conditional offer or any deviation from the terms and conditions of this tender enquiry may render the bids liable for rejection.
5. **Payment:** 100% payment will be made through RTGS/cheque after receipt of material(s) in one lot in good condition, successful installation, submission of Security deposit/PBG and acceptance of material/ satisfactory report of the inspection committee/committee of experts.
6. **Penalty for non/late delivery of material:** If the supplier fails to deliver and install the material/equipment within the stipulated delivery period of the Supply/Purchase order/contract, the same is liable to pay penalty charges @ 0.5% per week (or part thereof) of the cost of goods/ services, not exceeding maximum limit of 10% of the cost of complete unit of equipment/material so delayed to be installed.
7. **Security Deposit/PBG:**
  - a. Firm/bidder/Supplier is required to submit security deposit @3% of the order value in the shape FDR/PBG favouring Central University of Punjab and valid for Guarantee/Warranty period + 60 days within 30 days from the date of acceptance of Purchase Order. Failure to submit security deposit in the stipulated time will lead to forfeiture of EMD.
  - b. On faithful execution of the purchase order/contract on all respects, including warranty period, the security deposit of the contractors/supplier shall be released.
  - c. In the event of default on your part in faithful execution of Supply/Work order/contract, the security deposit shall be forfeited by an order of the Registrar of the University. The forfeiture of security deposit shall be without prejudice to any other right arising or accruing to the university under relevant provisions of the Supply/Work Order/contract, like – recovery of penalty/damages for delay as per delivery provisions, under Negligence & default clause, including suspension of business dealings with the bidder which could extend for a specific period.
8. **Warranty/ Guarantee:** Bidders are required to submit warranty/ Guarantee certificate as per given Performa at Annexure- “F”.

9. **Installation:** Installation and Training for usage of the equipment under purchase will be of free of cost.

10. **Arbitration:**

- a. If, at any time, any question dispute or difference of whatsoever nature arise between the purchaser/University and the bidder/contractor/supplier, upon or in relation to or in connection with purchase order/contract, either party may forthwith give to the other notice in writing of the existence of such question dispute or difference and the same shall be referred to sole arbitration of a nominee of the purchaser/University, who shall give a reasoned/speaking awards. The award of the sole arbitrator shall be final and binding on the parties under the provisions of the Indian Arbitration Act-1996(Amended up to date) and of the rules, there under. Any statutory amendment, modification or re-enactment thereof for the time being in force, shall be deemed to apply and be incorporated in the contract/purchase order. The sole Arbitrator shall be any officer of the University whose name is approved by the Vice Chancellor. It will not be objectionable if the Sole arbitrator is an officer of the university and he has expressed his views on all or any of the matter in question of dispute or difference.
- b. Upon every or any such reference, the cost of and incidental to the reference and award respectively shall be in the discretion of the sole arbitrator so appointed who may determine the amount there of or direct the same to be fixed as between the solicitor and client or as between party and shall direct by whom & to whom and in what manner the same is to be borne and paid.
- c. The work under the contract shall, if reasonable possible continue/during the arbitration n proceedings and no payment due or payable by the purchaser/university shall be withheld on account of such proceedings.

11. **Parts of Equipment:** Where the equipment is composed of several separately marketable subunits/components/assemblies, the rate should be quoted for each subunit/ component. The University reserves the right to increase or decrease the number of subunits/ components and number of equipment according to its requirements. The rates in ambiguous terms will render the bids liable to rejection. The words “Not quoting” should be clearly written against any item of equipment for which the tenderer is not quoting.

12. **Validity:** Tenders should be valid for 6 months from the last/due date of tender submission.

13. **Country of Origin:** Country of origin of the quoted item should be mentioned in the offer in case of Import item(s).

**Place:**

**Signature of Authorized Person**

**Date:**

**Designation**

**Seal**

## CHECK LIST

## Document for Tender Fee/EMD - Envelope 1

Sr. No.	Checklist	Yes/No
1	Tender Fee (If applicable),	
2	EMD (NSIC/MSME Certificate attached, if exempted).	

## Documents for Technical Bid -Envelope 2

Sr. No.	Checklist on top of the technical bid	Yes/No
1.	Application Form <span style="float: right;">Annexure A</span>	
2.	Technical Specification <span style="float: right;">Annexure B</span>	
3.	Technical Specification Compliance Sheet <span style="float: right;">Annexure C</span>	
4.	Non Blacklisting of supplier <span style="float: right;">Annexure D</span>	
5.	Proforma For User List <span style="float: right;">Annexure E</span>	
6.	Warrantee/Guarantee <span style="float: right;">Annexure F</span>	
7.	Declaration of Supplier <span style="float: right;">Annexure G</span>	
8.	Rate Reasonability Certificate <span style="float: right;">Annexure-H</span>	
9.	<b>Certificate regarding (MII) Local Content to be submitted by bidder firm.</b>	
10.	Authorization Certificate <i>with specifically mentioned validity of authorization for this specific tender from the Principal/OEM</i>	
11.	Photocopy of PAN, GST and TAN card.	
12.	Copy of income tax return for last 2 years	
13.	The printed literature and catalogue/brochure giving full technical details should be provided/ included with the technical bid to verify the specifications quoted in the tender.	
14.	<b>Service Manual/Circuit Diagram:</b> It is specifically required that the bidders will supply all the operating & service manuals and circuit diagrams along-with the equipment.	
15.	Tenders must accompany a copy of the <b><i>“Financial Terms and Conditions”</i></b> section of this document, signed and stamped on each page indicating that they agree to these and mention that in future they will not take any action against these terms and conditions.	

## Documents for Financial Bid

1	<p>Format of BOQ (Bill of Quantity) available on CPPP. This BOQ template must not be modified/replaced by the bidder and the same should be uploaded after filling the relevant columns, else the bidder is liable to be rejected for this tender. Bidders are allowed to enter the Bidder Name and Values only. Quoted prices of equipment should be firm, inclusive of insurance, loading/unloading charges and FOR Central University of Punjab (CUPB), V.P.O. Ghudda, District Bathinda.)</p> <p>Please fill 0.00 in case for NIL amount for any column cell, blank cell will not go for evaluation and that bid will be out rightly rejected.</p>	<b>Only online on CPPP.</b>
---	--	-----------------------------

Place:

Signature of Authorized Person

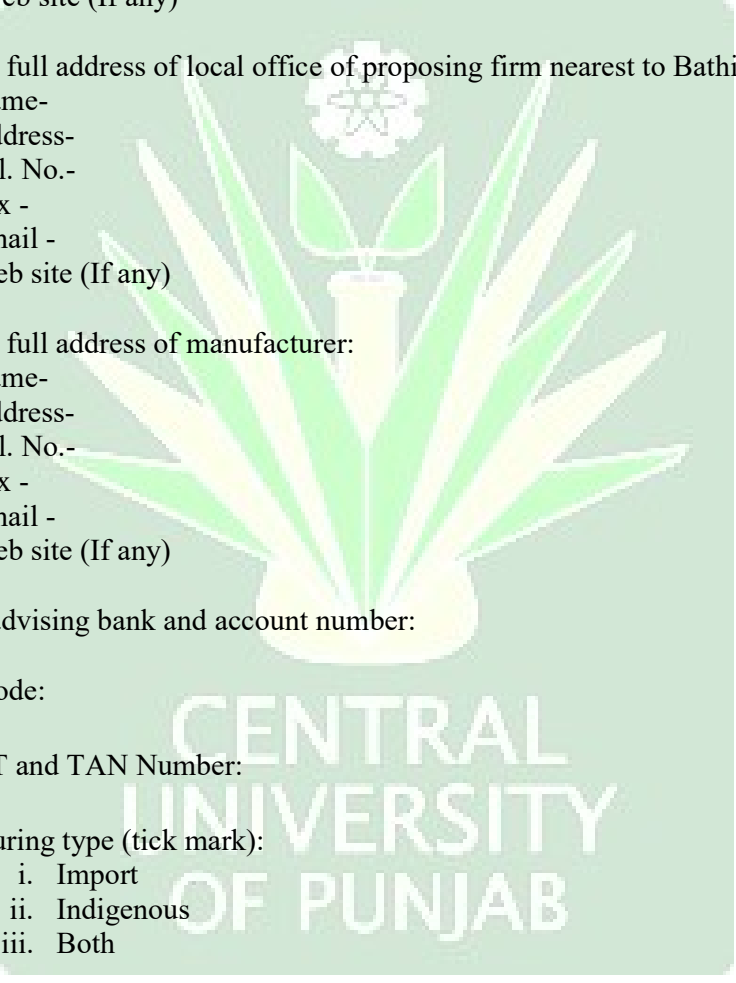
Date:

Designation

Seal

## APPLICATION FORM

To be Filled Completely and Signed(**should be on letterhead of bidder**)

1. Contact details of the head office of proposing firm:
    - a. Name-
    - b. Address-
    - c. Tel. No.-
    - d. Fax -
    - e. Email -
    - f. Web site (If any)
  
  2. Name and full address of local office of proposing firm nearest to Bathinda:
    - a. Name-
    - b. Address-
    - c. Tel. No.-
    - d. Fax -
    - e. Email -
    - f. Web site (If any)
  
  3. Name and full address of manufacturer:
    - a. Name-
    - b. Address-
    - c. Tel. No.-
    - d. Fax -
    - e. Email -
    - f. Web site (If any)
  
  4. Name of advising bank and account number:
  
  5. SWIFT Code:
  
  6. PAN, GST and TAN Number:
  
  7. Manufacturing type (tick mark):
    - i. Import
    - ii. Indigenous
    - iii. Both
  
  8. Country(s) of origin:
  
  9. Any other relevant information:
- 



**TECHNICAL SPECIFICATIONS OF THE EQUIPMENT / ITEM(S)**

Name of the Equipment / Item(s)

**Langmuir Probe System and Allied  
Auxiliary Plasma Tools**Name of the Manufacturer  
Make of the Item/Equipment  
Model Number  
Country of Origin

---



---



---



---

**SPECIFICATIONS**

S. No.	Item	Technical specifications	Qty.
<b>A. Langmuir Probe Setup</b>			
1	Measure Parameters	Floatong Potential, Plasma Potential, Plasma Density, Ion Density and Electron Temperature	1 setup
	Type of Plasma Source	DC, RF, Microwave, ECR, Continuous and Pulsed Plasma	
	Type of Probe	Single LP and Double LP	
	RF /ECR Compensation	As compatible for RF and microwave	
	Mounting Flange Type	CF35/KF25 Conflat Flange with ECR cavity and CF-150 manual operated Gate Valve (Design drawing of ESR cavity is attached)	
	Probe Movement	up to 200mm	
	Probe Tip Material	Compatible to Microwave, RF, ECR plasma, continues & pulsed plasma	
	Probe Operating Temperature	up to 200°C	
	Working Gas	Hydrogen, Argon, Nitrogen, Helium etc.	
	Floating/Plasma Potential	±150 V DC or better	
	Plasma Density	$10^9 \text{ cm}^{-3}$ to $10^{13} \text{ cm}^{-3}$	
	Electron Temperature	0.1 to 10 eV	
	Operating Manual	Operating & Service manual with user guide in English	
2	<b>Software Platform</b>		1 setup
	Software Compatible	MS Window	
	Measurement	Current vs Voltage and Voltage vs Time	
	Software Upgrade Support	Three year at free of cost	
	Mains Input	230 V AC ± 10%, 50 Hz ± 3%, single phase	
3	<b>Electronics Data Acquisition Unit</b>		1 setup
	Control Mechanism	Automated through software	
	Probe Scan Voltage	Negative (-) 100 V to Positive (+) 100 V DC	
	Current Range	50 nA to 1A automatic selection	
	Drive option	Both Single and Double LP	
	PC Interface	USB	
	Sampling Rate	≥ 70 MSPS for voltage and current	
	Time Resolved Step Resolution	50 nS or better	
External Trigger TTL Compatible	Yes		
<b>Optional requirements:</b>			
B.	<b>Spectrometer</b>		1 setup
	Parameters	Required Specifications	
	Wavelength Range	200 - 1100 nm	
	Slit Size	50 microns	
	A/D Resolution	16 bit	
	Detector Type	CCD linear array, 3648 pixels (8 microns x 200 microns or better)	
	Signal to Noise Ratio	500:1 or better	
	Connector	Fiber optic connector with good numerical aperture	
	Spectral Resolution	0.01 nm or less	

Interface	USB		
Groove Density	600 gr/mm		
Integration Time	10 $\mu$ s – 60 s		
CCD Reading Time	20 ms or better		
Software	Application software with Labview drivers		
Optical Fiber Cable	Yes		
Tigger Mode	Internal and External TTL		
Operation System	Windows compatible		
		Warranty	03Y
		AMC after warranty	03Y

### Terms and Conditions:-

- Delivery period:** It should be for .....weeks from date of Purchase order.
- Validity:** Tenders should be valid for 6 months from the last/due date of tender submission.
- Bidder shall quote for all items as mentioned in the Annexure-‘B’ otherwise bid will be treated as non-responsive and rejected.
- Availability of Spares/Consumables:** The tenderer must give certificate duly signed and stamped by manufacturer for the availability of spares/consumables and servicing of instrument/tool for at least 10 years. Supplier should give an undertaking that spares parts/consumables will be supplied within the specified periods as and when ordered.
- Prices:** Quoted prices of equipment should be in INR, firm, inclusive of insurance, loading/unloading charges and FOR Central University of Punjab (CUPB), V.P.O. Ghudda, District Bathinda.

**Place:**

**Signature of Authorized Person**

**Date:**

**Designation**

**Seal**

CENTRAL  
UNIVERSITY  
OF PUNJAB

**TECHNICAL SPECIFICATION COMPLIANCE SHEET**

**(No cut / copy paste, provide with supporting document)**

Sl. No.	Specifications as per tender (point wise)	Compliance of the quoted model	Compliance of alternate model, if any	Remarks (Deviations)

Signature and seal of the Manufacturer/Bidder

Date: \_\_\_\_\_

Place: \_\_\_\_\_

Note: Where there is no deviation, the statement should be returned duly signed with an endorsement indicating “No Deviations”

(Furnishing of wrong statement may lead to debar from the future purchases of CENTRAL UNIVERSITY OF PUNJAB, Bathinda.)

**Annexure-‘D’**

**FORMAT FOR NON-BLACKLISTING OF SUPPLIER**

I/ We \_\_\_\_\_Manufacturer/Authorized Distributor/Agent (strike out which is not applicable) of (Supplier) \_\_\_\_\_ do hereby declare and solemnly affirm that our firm/company is never black-listed by the Union/State Government/Autonomous body.

Deponent

Address

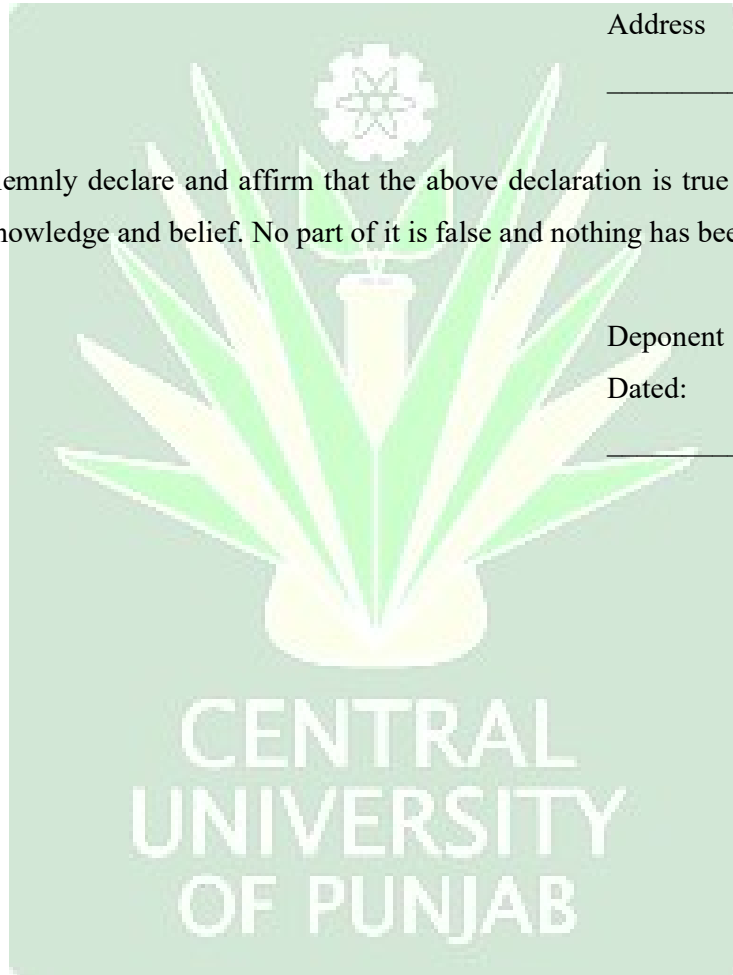
\_\_\_\_\_

I/ We hereby solemnly declare and affirm that the above declaration is true and correct to the best of my/our knowledge and belief. No part of it is false and nothing has been concealed.

Deponent

Dated:

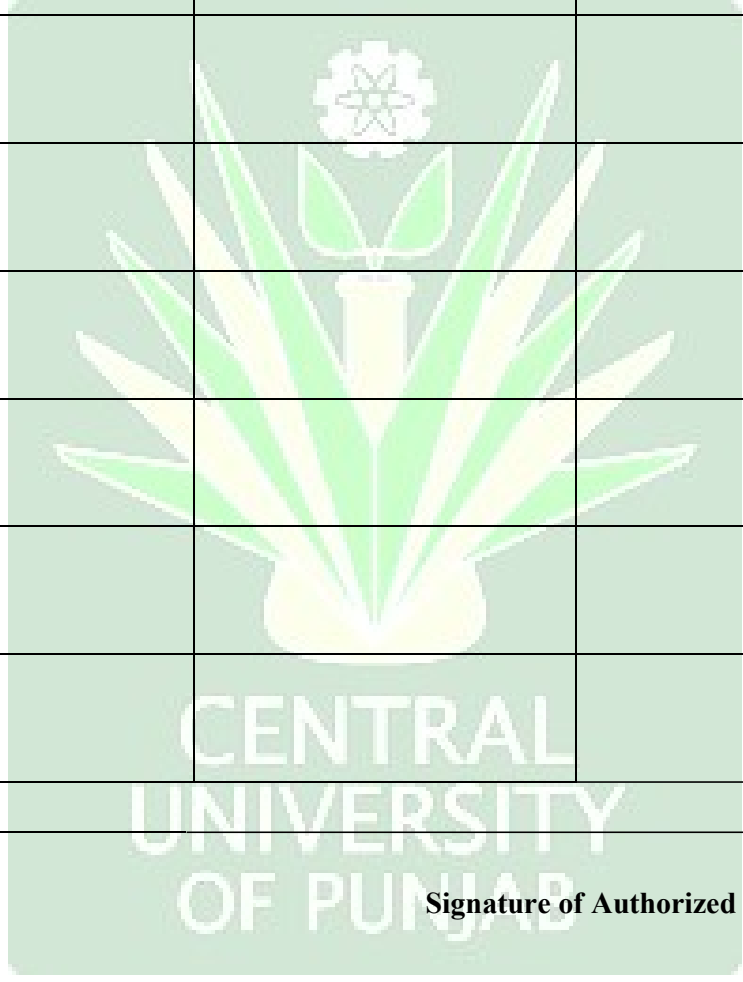
\_\_\_\_\_



**Annexure-‘E’**

**PROFORMA FOR USER LIST**

Sl. No.	Name & full address of purchaser	Purchase Order No. & Date	Year of Purchasing	No. of Units (Qty.)	Model No. with Date of Installation	Contact person with cell, phone and email id



**Place:**

**Signature of Authorized Person**

**Date:**

**Designation**

**Seal**

**CERTIFICATE OF WARRANTY/GUARANTEE**

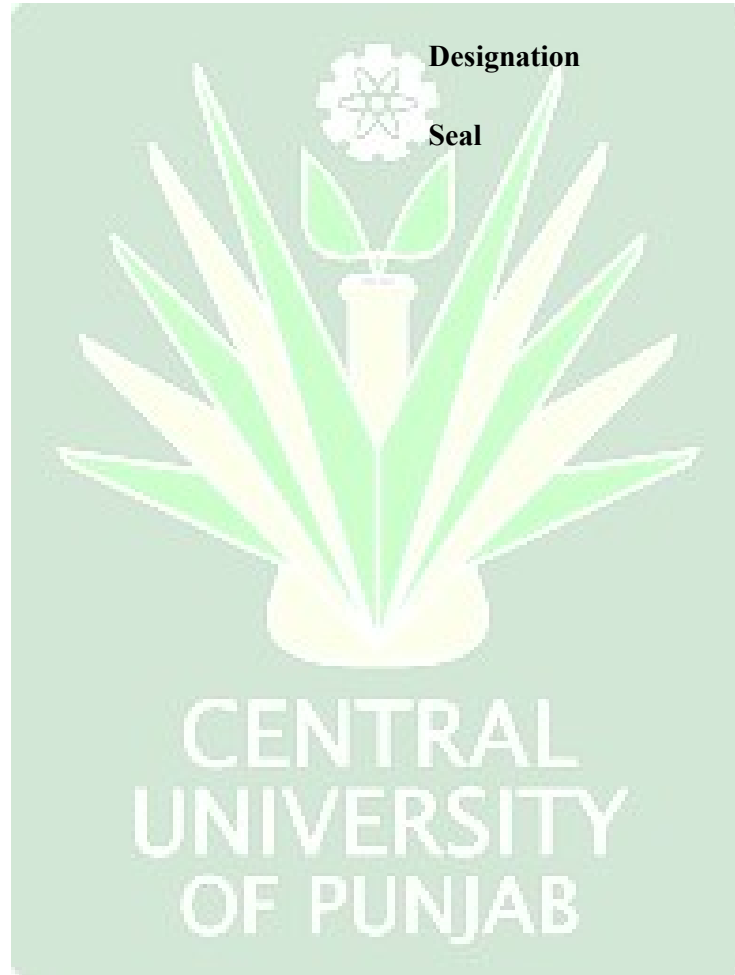
- a) I/We certify that the warranty shall be for a period as specified in technical specification part starting from the date of satisfactory installation, commissioning and handing over of the equipment/tool and of the works conducted therewith covered under the supply order in working order. During the warranty period, I/we shall provide free “after sale service” and the replacement of any part(s) of the equipment/tool or rectification of defects of work of the equipment will be free of cost. The replacement of the parts shall be arranged by us, at our own cost and responsibility.
- b) We certify that the equipment/Tool being/quoted is the latest model and that spares for the equipment/tool will be available for a period of at least 10 years and we also guarantee that we will keep the organization informed of any update of the equipment over a period of 5 years.
- c) We shall try to repair the equipment at CENTRAL UNIVERSITY OF PUNJAB, V.P.O. Ghudda, District Bathinda premises itself. However, the equipment will be taken to our site on our own expenses in case it is not possible to repair the same at CENTRAL UNIVERSITY OF PUNJAB, Bathinda. We shall take the entire responsibility for the safe custody and transportation of the equipment taken out for repairs till the equipment is rehabilitated to the CENTRAL UNIVERSITY OF PUNJAB, V.P.O. Ghudda, District Bathinda after repair. Any loss of equipment or its accessories under our charge on account of theft, fire or any other reasons shall be at our sole risk and responsibility which will be compensated to CENTRAL UNIVERSITY OF PUNJAB, Bathinda for such losses at the FOR value for the damaged/lost equipment/part, including accessories.
- d) We undertake to perform calibration after every major repair/breakdown/taking the equipment/tool for repair out of CENTRAL UNIVERSITY OF PUNJAB, Bathinda premises with free of cost.
- e) In case of extended warranty, we undertake to carry out annual calibration of the equipment/tool without any charges.
- f) We guarantee the entire unit against defects of manufacture, workmanship and poor quality of components.
- g) Guarantee/Warranty will include everything in the period including consumable parts.
- h) List of consumables along with Price of each consumable part applicable after the Guarantee/warranty must be provided in the bid.
- i) Repair period- All complaints will be entertained within 2 weeks(downtime) (unless specified otherwise) of the lodging of complaint otherwise penalty will be as follows:-

1. @0.5% per week of total purchase value for 1<sup>st</sup> two weeks or part thereof after expiry of downtime.
2. @1% per week of total purchase value for next three weeks or part thereof.
3. @2% per week of total purchase value for further three weeks or part thereof.
4. If not complied with the above, legal action can be initiated to recover the cost of the equipment as per depreciation rule of Company Act 2013.
5. Further, the supplier (Original Equipment Manufacturer and their Authorized Dealer/Supplier) can be blacklisted at least 06 months upto three years.

**Place:**

**Signature of Authorized Person**

**Date:**



### **DECLARATION BY SUPPLIER**

“It is certified that I/we have carefully read and understood the entire general, special as well as specific terms and conditions of these documents and agree to abide by all of these. All the information and commitments provided with the bids are truthful and binding on the firm.”

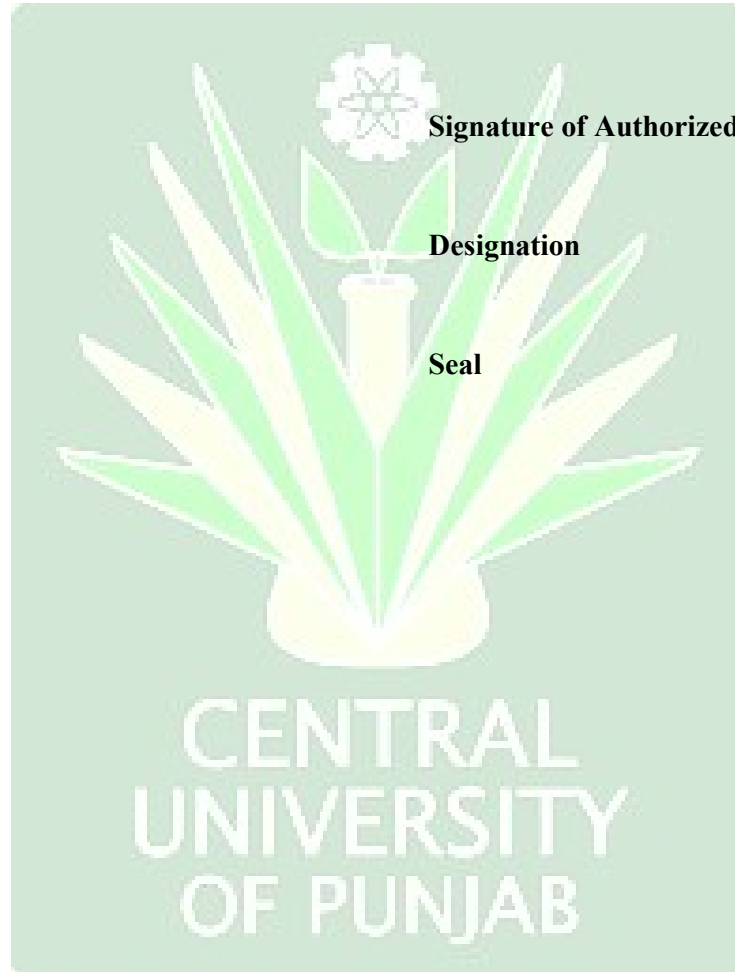
**Place:**

**Signature of Authorized Person**

**Date:**

**Designation**

**Seal**





**RATE REASONABILITY CERTIFICATE**

Certified that “Rates quoted by us vide Tender No. - **P-26 (2022-23) Dated** \_\_\_\_\_ are same and not higher than those quoted with other Govt./Semi-Govt./Private/ Autonomous/Similar Institutions.”

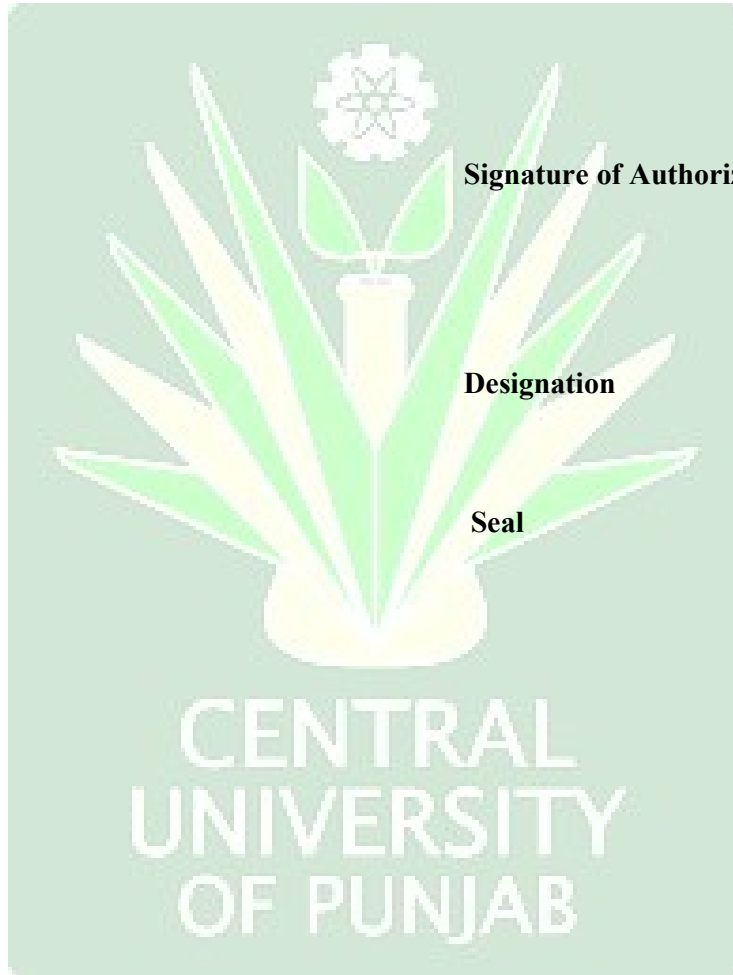
**Place:**

**Signature of Authorized Person**

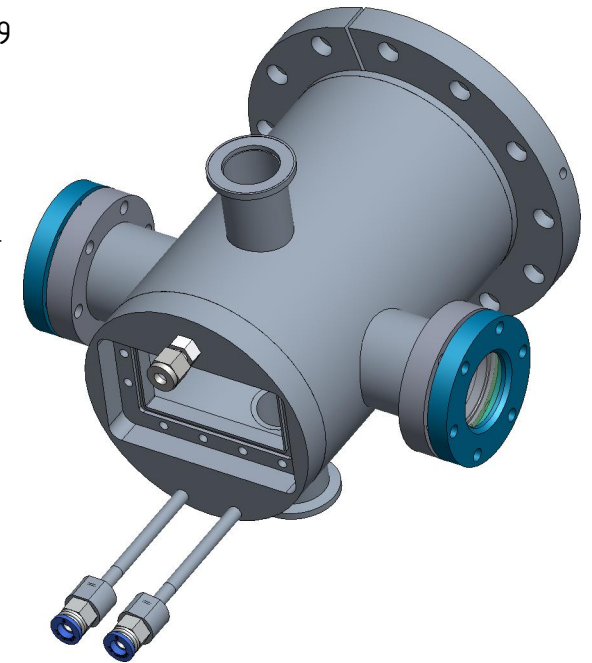
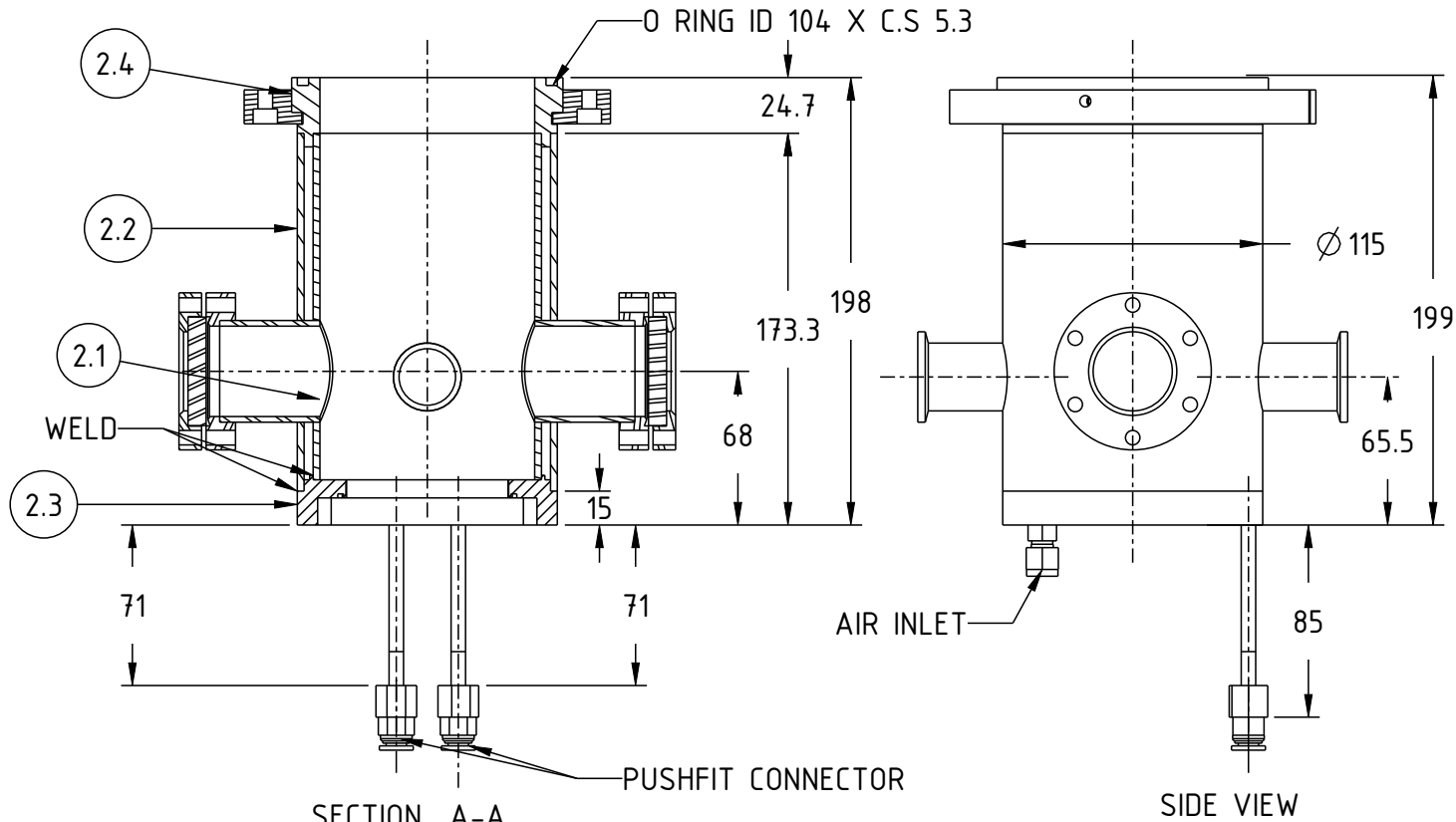
**Date:**

**Designation**

**Seal**



Design drawing of ESR Cavity



QTY:- 01 SET

WATER COOLED CHAMBER

